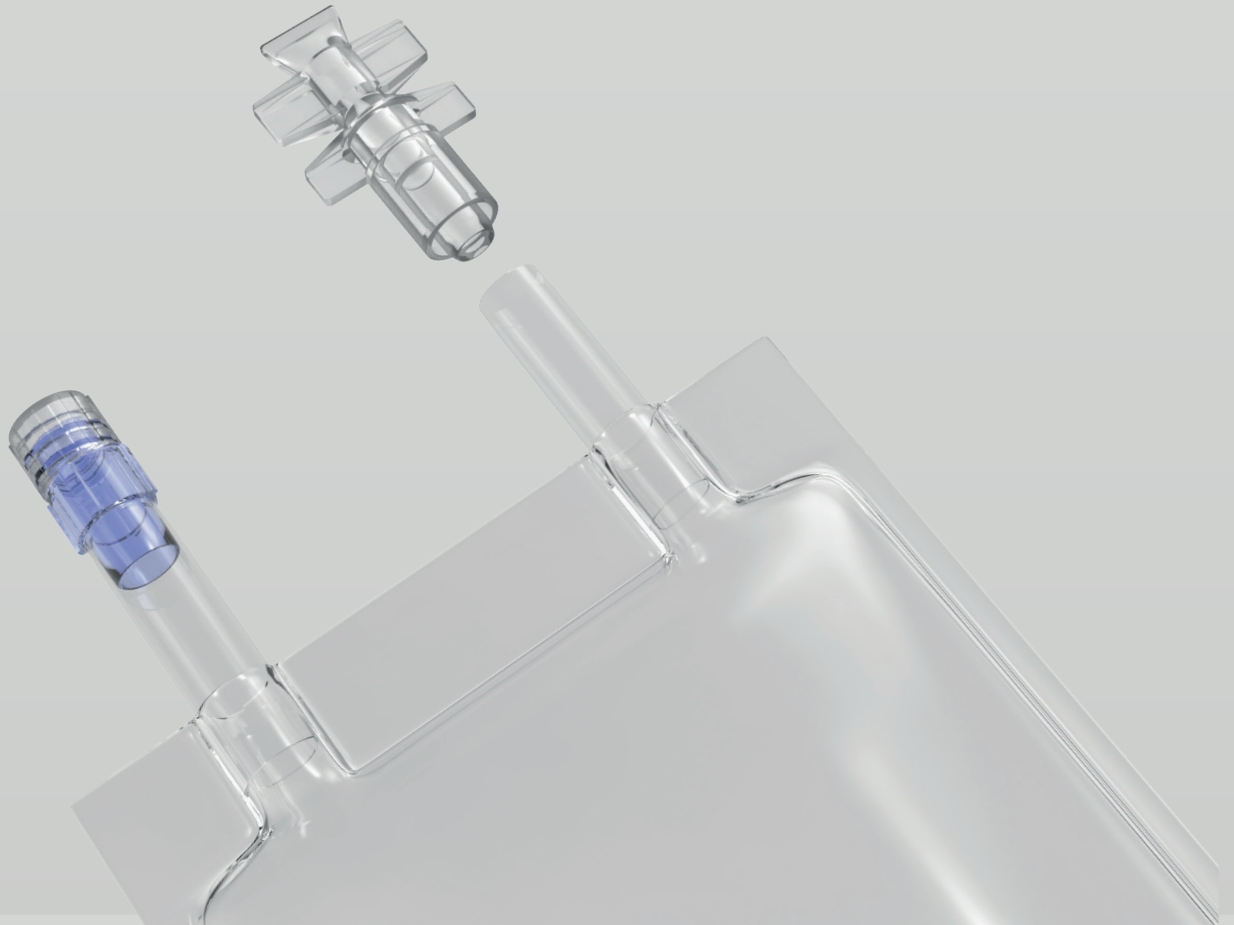


TWIST-OFF ZERO

Spike port with interlocking fastening to the bag tube



TWIST-OFF ZERO (Patent pending)

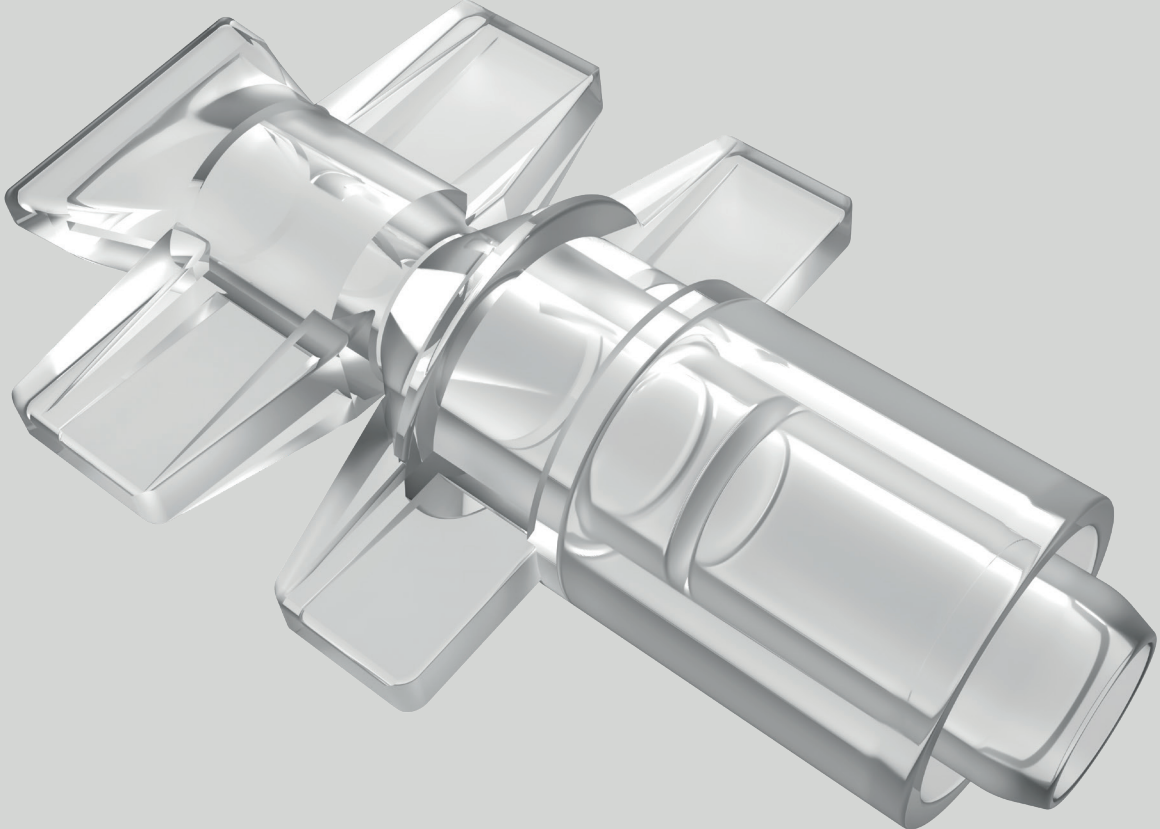
Spike port with interlocking fastening to the bag tube

The semi-rigid components inserted to close the tubes of bags containing sterile solutions, called Twist-offs, must satisfy the hermetic sealing requirements of a primary pharmaceutical packaging. For this reason, these components must be welded, glued or blocked on the tube through steam sterilization process.

Twist-off ZERO, thanks to its patented geometry, guarantees a validated hermetic closure after its insertion into the bag tube, without the need for further gluing, welding, or thermal sterilization process.

Twist-off ZERO is compliant to the ISO 3826-1 regarding the appropriate distance of the internal membrane for the spike to assure an adequate hermetic insulation when inserted.

Twist-off ZERO is a patent pending product available in different PVC FREE materials, suitable for PVC and PVC FREE tubes.

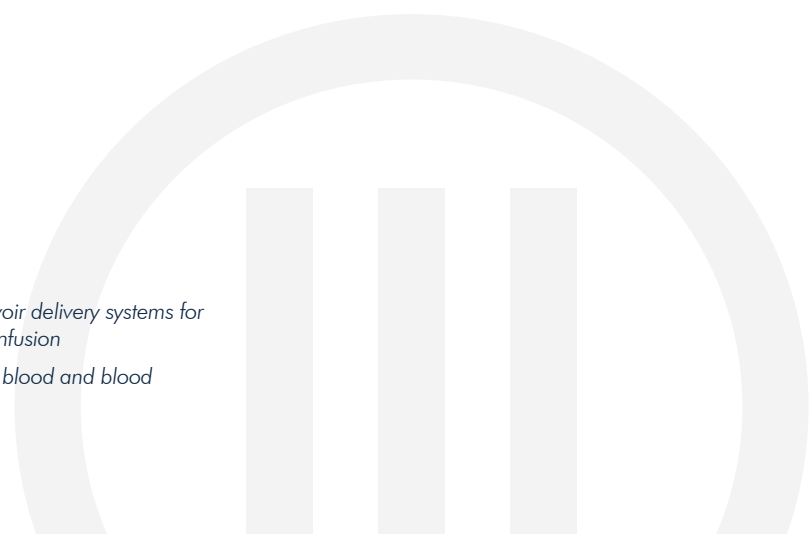


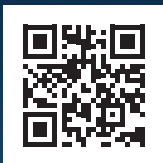
THE ADVANTAGES OF TWIST-OFF ZERO

- ZERO need for further gluing.
- ZERO need for welding.
- ZERO need for thermal sterilization process.
- ZERO risk of fluid leakage (especially during and after aseptic production processes) .
- ISO 3826-1 compliant.
- Available in different PVC FREE materials.
- Suitable for PVC and PVC FREE tubes.

Bibliography

- *ISO 18250-7:2018 Medical devices - Connectors for reservoir delivery systems for healthcare applications - Part 7: Connectors for intravascular infusion*
- *ISO 3826-1:2019 Plastics collapsible containers for human blood and blood components - Part 1: Conventional containers*





haemopharm.it



HAEMOPHARM HEALTHCARE S.R.L.

COMMERCIAL OFFICE

Viale Lazio, 26

I - 20135 Milano (MI)

Phone +39 02 5513513

Fax +39 02 55191982

info@haemopharm.it

haemopharm.it



PAOLO GOBBI FRATTINI S.R.L.

FACTORY

I - 23030 Tovo di Sant'Agata (SO)

Via Provinciale, 8

Tel +39 0342 771017

Fax +39 0342 771018

info@haemopharm.it

haemopharm.it

All the information contained in this presentation and the described product can be changed at any moment by Haemopharm Healthcare without notice.

The information concerning the specific product in use is exclusively the one included in the product's packaging.

NIV® is a Paolo Gobbi Frattini S.r.l. Trademark. © Copyright 2015 Haemopharm Healthcare s.r.l. All rights reserved. REV. 11/2021.